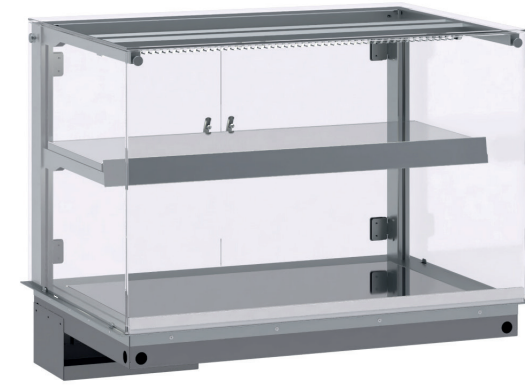




# QUBIC

## Hot & Cold

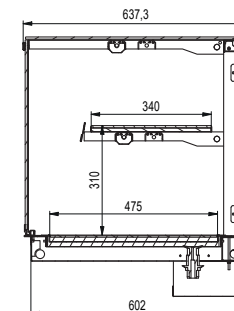
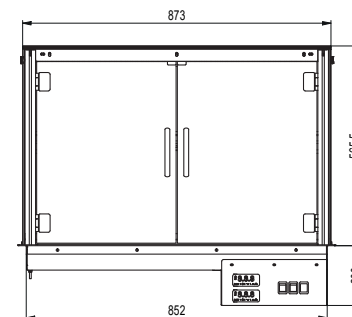
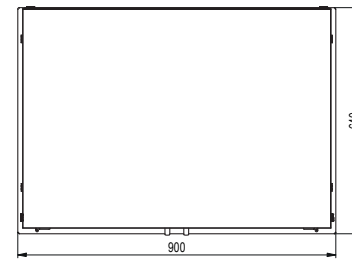
- ◆ Preparing for 2024
- ◆ New line of table top counters in Heated and Refrigerated version
- ◆ Fully drop-in version



# QUBIC

## HOT900

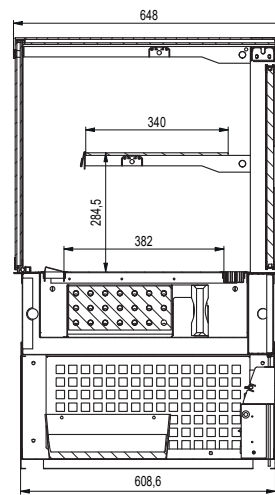
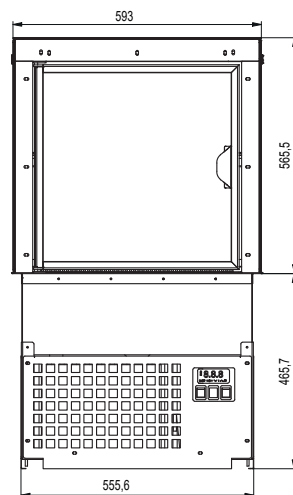
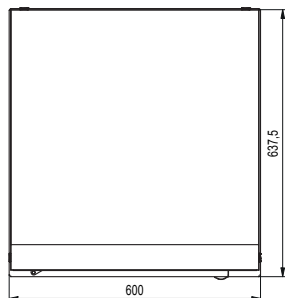
- ◆ Square single glass model fully transparent
- ◆ Dry heat thanks to heated mat and infrared emitter
- ◆ Electronic control unit
- ◆ 1 adjustable shelf
- ◆ Length 900, preparing 600 and 1200 mm
- ◆ Wing doors from service side
- ◆ Temperature range +30/+80°C





# QUBIC COLD600

- ◆ Square transparent double glass
- ◆ Forced air circulation of cold air
- ◆ Electronic control unit
- ◆ 1 adjustable shelf
- ◆ Length 600, preparing 900 and 1200 mm
- ◆ Wing doors from service side
- ◆ Temperature range  $+2/+8^{\circ}\text{C}$



**unis**

[www.uniscool.cz](http://www.uniscool.cz)